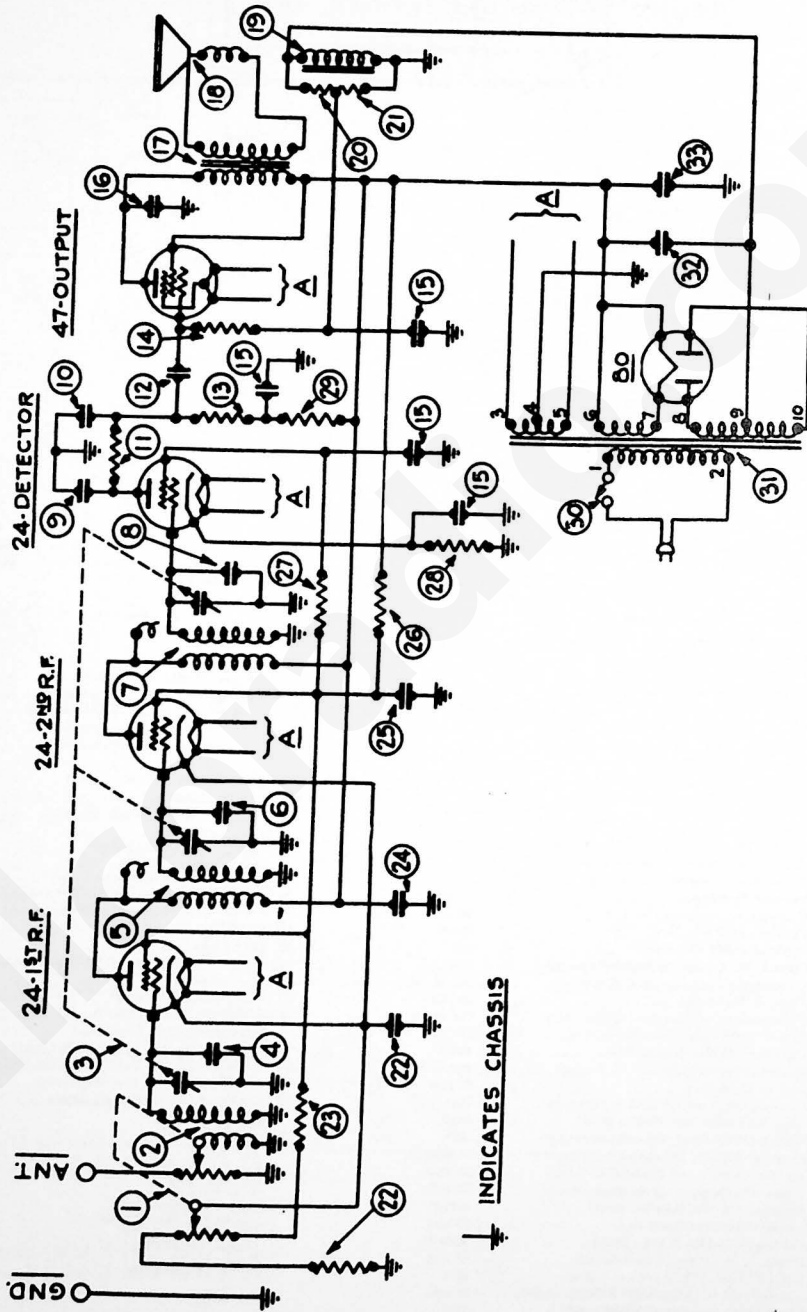
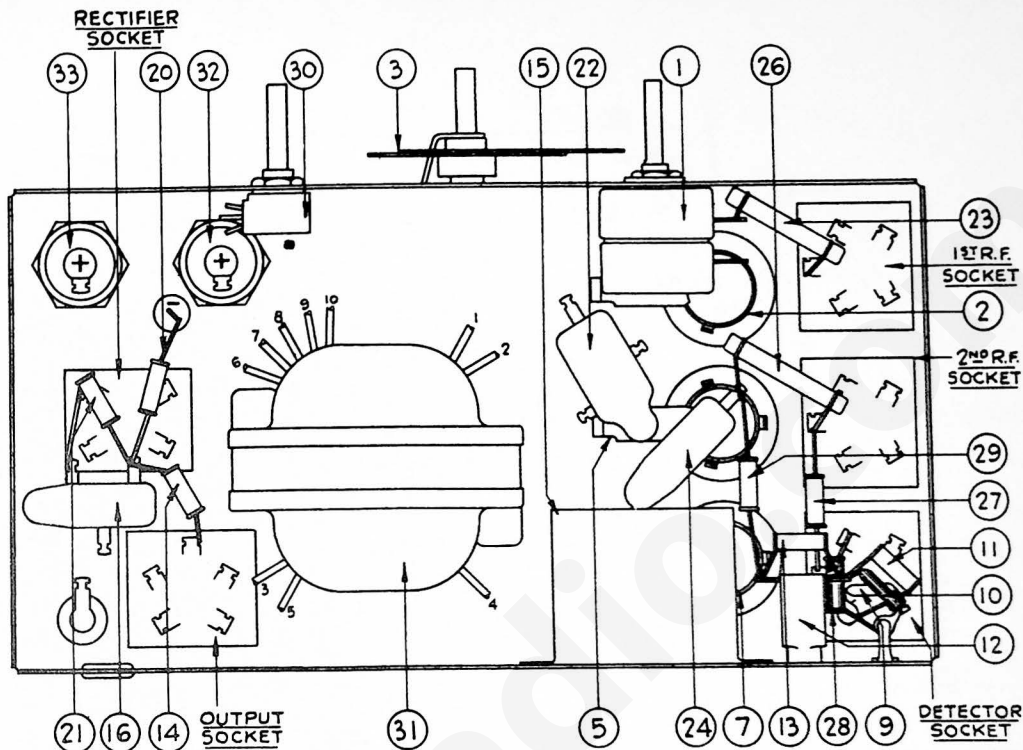


MODELS 50 AND 50-A



⊥ INDICATES CHASSIS

MODELS 50 AND 50-A



REPLACEMENT PARTS MODELS 50 AND 50-A

| | | | | | |
|---|---|--------|---|---|--------|
| ① | Volume Control | 5232 | Ⓜ | Resistor—15,000 Ohms | 5278 |
| ② | First R. F. Transformer | 03283 | Ⓝ | Bypass Condenser—.05 Mfd. | 3615-L |
| ③ | Gang Condenser | 03293 | Ⓞ | Bypass Condenser—(.05 Mfd.) (combined with Ⓜ) | |
| ④ | Compensating Condenser (Part of Gang Condenser Assembly) | | Ⓟ | Resistor—25,000 Ohms | 3656 |
| ⑤ | Second R. F. Transformer | 03284 | Ⓠ | Resistor—99,000 Ohms | 4411 |
| ⑥ | Compensating Condenser (Part of Gang Condenser Assembly) | | Ⓡ | Resistor—32,000 Ohms | 5279 |
| ⑦ | Third R. F. Transformer | 03284 | Ⓢ | Resistor—99,000 Ohms | 4411 |
| ⑧ | Compensating Condenser (Part of Gang Condenser Assembly) | | Ⓣ | On-Off Switch | 5382 |
| ⑨ | Condenser—250 Mmf. | 3082 | Ⓤ | Power Transformer—50-60 cycles | 5266 |
| ⑩ | Condenser—250 Mmf. | 3082 | | Power Transformer—25-40 cycles | 5267 |
| ⑪ | Resistor—10,000 Ohms | 4412 | | Power Transformer—50-60 cycles 210-240 volts | 5268 |
| ⑫ | Condenser—.01 Mfd. | 3903-L | Ⓡ | Electrolytic Condenser—6 Mfd.— 50-60 cycles | 4916 |
| ⑬ | Resistor—240,000 Ohms | 4410 | | Electrolytic Condenser—10 Mfd. 25-40 cycles | 5142 |
| ⑭ | Resistor—490,000 Ohms | 4517 | Ⓢ | Electrolytic Condenser—6 Mfd.— 25-40 cycles and 50-60 cycles | 4916 |
| ⑮ | Bypass Condenser (.15 Mfd., .25 Mfd., 2-5 Mfd., .1 Mfd.) 50-60 cycles | 03459 | | Tube Shield | 03390 |
| | (.15 Mfd., .25 Mfd., 2-5 Mfd., .05 Mfd.) 25-40 Cycles | 03455 | | Knob (Large) | 03064 |
| ⑯ | Bypass Condenser—.01 Mfd. | 3903-N | | Knob (Small) | 03427 |
| ⑰ | Output Transformer | 2660 | | Spring (For Dial Knobs) Small | 4147 |
| ⑱ | Voice Coil and Cone Assembly | 02970 | | Spring (For Dial Knobs) Large | 5262 |
| ⑲ | Speaker Field (Assembled with Pot and Frame) | 02942 | | Grid Clip | 4897 |
| Ⓜ | Resistor—490,000 Ohms. | 4517 | | Five Prong Socket Assembly | 4956 |
| Ⓝ | Resistor—160,000 Ohms. | 5331 | | Four Prong Socket Assembly | 5026 |
| Ⓞ | Resistor—150 Ohms and Con- denser—.05 Mfd. | 3615-X | | Dial Complete | 03322 |
| | | | | Basel | 5383 |